



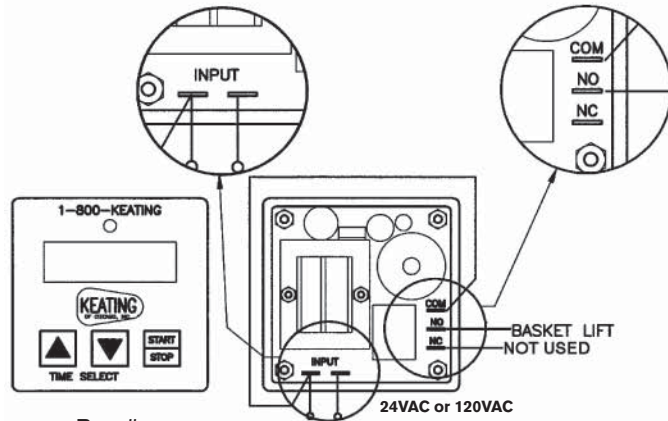
# SERVICE INSTRUCTIONS

1-800-KEATING • keatingofchicago.com

## TIMER OPERATING AND WIRING INSTRUCTIONS

Part No. 056921

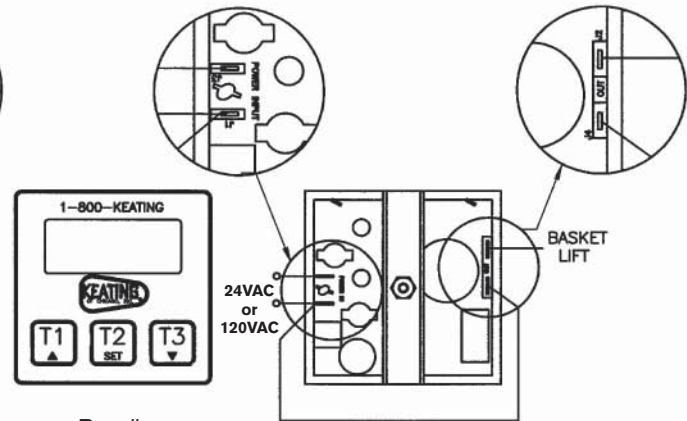
### Obsolete Timer Connections



Part #  
030834 or 023709  
Front View

Rear View

### New Timer Connections



Part #  
056921  
Front View

Rear View

### New Timer Operating Instructions (056921)

#### PROGRAMMING:

TO PROGRAM THE TIMERS, THE UNIT MUST BE IN THE IDLE MODE. PRESS AND HOLD THE SET BUTTON FOR APPROXIMATELY TWO SECONDS. THE DISPLAY WILL SHOW "Set!". PRESS THE BUTTON FOR THE CHANNEL TO BE PROGRAMMED. THE DISPLAY WILL SHOW THE CURRENT SETTING FOR THAT CHANNEL. USE THE UP OR DOWN BUTTON TO INCREMENT OR DECREMENT THE SETTING. WHEN THE SETTING IS CORRECT, PRESS AND HOLD THE SET BUTTON AGAIN FOR APPROXIMATELY TWO SECONDS. THE DISPLAY WILL SHOW "StO" FOR APPROXIMATELY TWO SECONDS AND THE TIMER WILL RETURN TO NORMAL OPERATION. REPEAT THE PROCESS AS NECESSARY FOR OTHER TIMERS.

#### OPERATING LOGIC:

WHEN THE TIMER IS POWERED UP, THE DISPLAY WILL SHOW THE TIME SETTING FOR THE CHANNEL THAT WAS OPERATED LAST AND THE RELAY OUTPUT CONTACTS WILL BE OPEN. TO START A CYCLE, PRESS THE DESIRED CHANNEL BUTTON (1-3). THE DISPLAY WILL BEGIN TO COUNTDOWN FROM THE PRESET

TIME SETTING AND THE RELAY OUTPUT CONTACTS WILL CLOSE. DURING THE COUNTDOWN THE COLON WILL FLASH AT A ONE-SECOND RATE. WHEN THE COUNTDOWN HAS REACHED "00:00" THE RELAY OUTPUT CONTACTS WILL OPEN, THE DISPLAY WILL FLASH, AND THE AUDIBLE ALARM WILL SOUND. TO CANCEL THE AUDIBLE ALARM, PRESS ANY BUTTON.

#### PAUSE FEATURE:

TO PAUSE A CYCLE IN PROGRESS, PRESS ANY BUTTON. THE RELAY OUTPUT CONTACTS WILL OPEN, THE DISPLAY WILL FLASH, AND THE COUNTDOWN WILL PAUSE. TO RESUME THE COUNTDOWN, PRESS ANY BUTTON. THE DISPLAY WILL RESUME THE NORMAL COUNTDOWN AND THE RELAY OUTPUT CONTACTS WILL CLOSE.

#### CANCELING A CYCLE:

TO CANCEL A CYCLE IN PROGRESS PRESS AND HOLD ANY BUTTON FOR APPROXIMATELY TWO SECONDS. THE RELAY OUTPUT CONTACTS WILL OPEN AND THE DISPLAY WILL SHOW THE TIME SETTING FOR THE CHANNEL LAST USED.