



# SERVICE INSTRUCTIONS

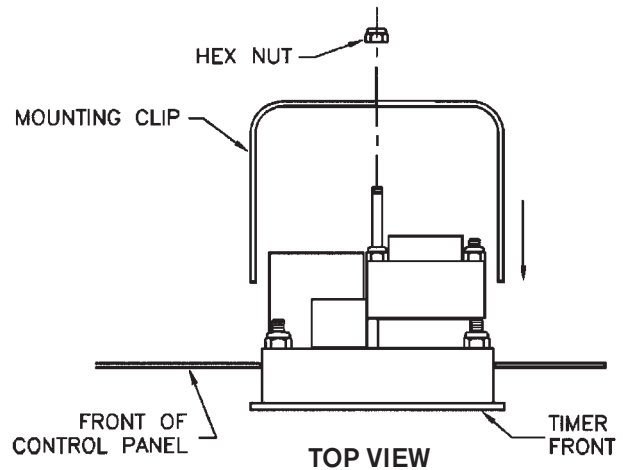
1-800-KEATING • keatingofchicago.com

## REPLACEMENT MOUNTING AND WIRING INSTRUCTIONS KEATING ELECTRONIC TIMER

### REPLACEMENT TIMER MOUNTING

\*Remove old timer and mount new Keating digital timer as shown.

**NOTE:** When removing the wires from the old timer, mark the terminal number for reference when re-wiring.



### REPLACEMENT TIMER WIRING

\*Wire the new Keating digital timer using the old timer to new timer terminal reference shown.

**NOTE:** On fryers that use the output terminals (e.g. IFM's or units with Basket-lift) use the wire extension that is included with the kit, on COM terminal or power input terminal where necessary.

