



SERVICE INSTRUCTIONS

1-800-KEATING • keatingofchicago.com

CONVERTING MIRACLEAN® GRIDDLES FROM PROPANE GAS TO NATURAL GAS

Gas Conversion is not covered under warranty.

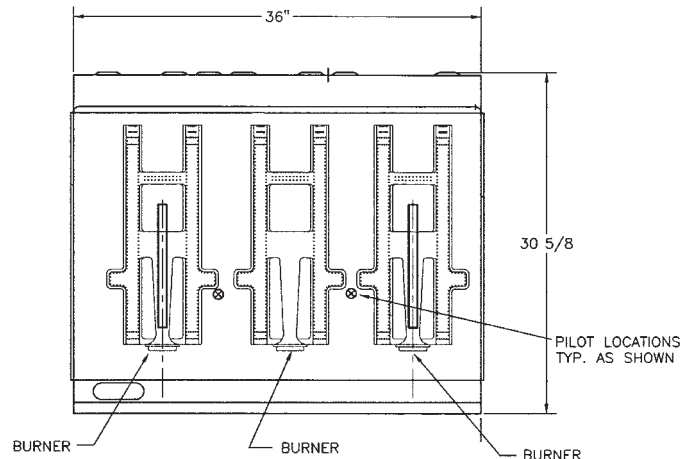
① **NOTE:** In replacements and conversions use only new parts.

⚠ **WARNING:** Improper operation could result in death or serious injury.

⚠ **WARNING:** When changing to propane or natural gas always change the burner and pilot orifices.

If converting from Propane to Natural Gas, the following must be ordered for each burner. Call 1-800-KEATING to order:

Gas Valve Conversion Kit, LP-Nat
Orifice Main Burner
Orifice Pilot Natural



INSTRUCTIONS:

1. Turn gas supply off.
2. Remove & replace regulators on each gas valve. Follow the instructions sent with regulators.
3. Lower control panel to gain access to main and pilot orifices.
4. Replace the pilot orifices and the main burner orifices.
If there is a center burner, install smaller burner orifice in the center burner.
5. Return pilot assemblies and manifolds to original position.
6. Reinstall control panel screws.
7. Turn on gas supply and test for proper operation.