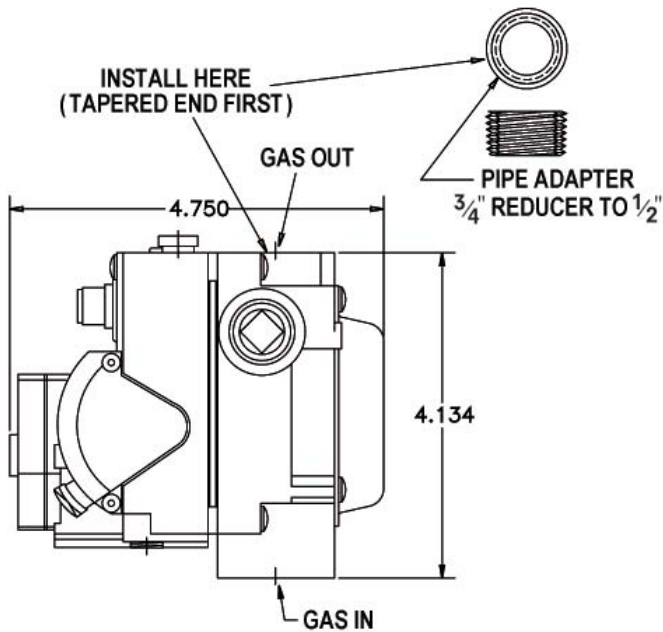




SERVICE INSTRUCTIONS

1-800-KEATING • keatingofchicago.com

FIELD REPLACEMENT KIT FOR GAS VALVE PART #024030 WITH PART #060187



KIT INCLUDES:

- Replacement Gas Valve, Pipe Adapter, Socket Plugs (pre-installed), Pilot Outlet Tubing Plug, Jumper Wire Assembly, LP Conversion Kit
- Replacement Instructions

INSTALLATION INSTRUCTIONS:

1. SHUT OFF GAS AND ELECTRIC SUPPLIES TO EQUIPMENT.
2. Remove defective gas valve.
3. Install pipe adapter (supplied with Field Replacement Kit) using gas-rated thread compound (use on adapter only) - insert tapered end into valve first.
4. Install new valve using existing plumbing and electrical wiring. Match the wiring connections on the new valve with the original connections.
5. Turn on gas and electric supplies.
6. Leak test all gas connections before releasing equipment for general use.

