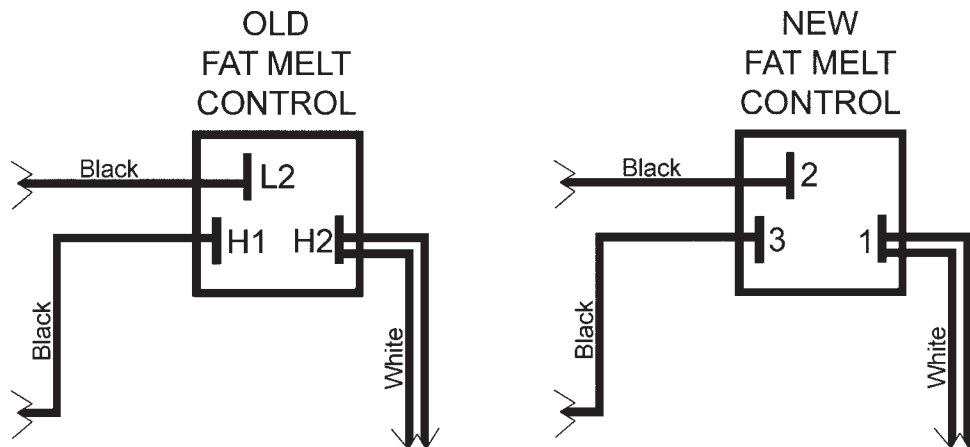




SERVICE INSTRUCTIONS

1-800-KEATING • keatingofchicago.com

FAT MELT CONTROL REPLACEMENT INSTRUCTIONS PART # 037890 (REPLACES PART # 004343)



1. Mount the Fat Melt Control by using the existing mounting hardware.
2. Wire the new Fat Melt Control as shown above.
(Note: The change in the terminal designations: L2 =2, H1=3, H2=1)