



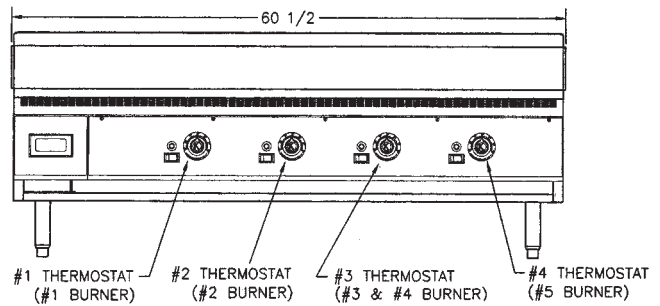
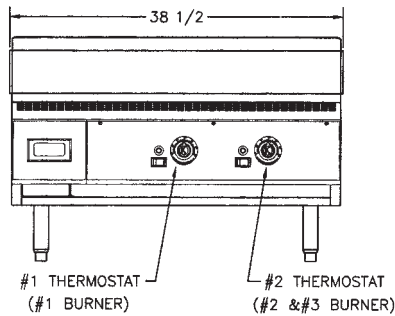
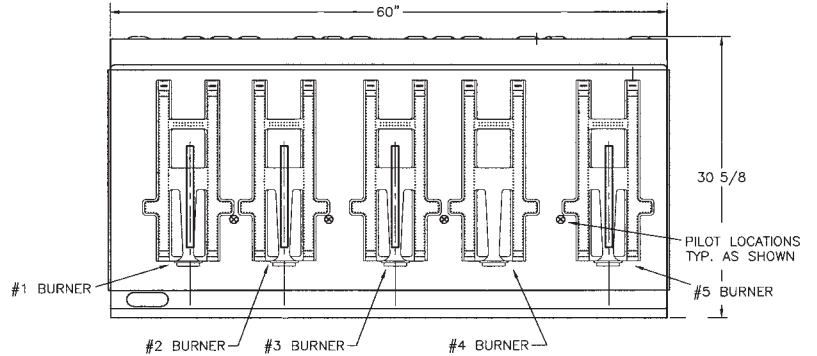
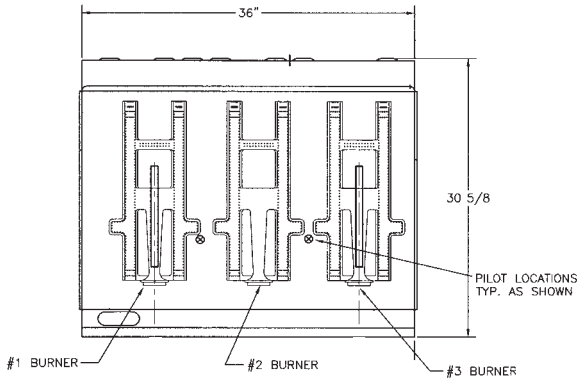
# SERVICE INSTRUCTIONS

1-800-KEATING • keatingofchicago.com

**Bob Evans  
FARMS®**

## MIRACLEAN® GAS GRIDDLE GAS CONVERSION

Gas Conversion is not covered under warranty.



NOTE: ALL DIMENSIONS ARE FOR REFERENCE ONLY

### INSTRUCTIONS:

1. Turn supply gas off.
2. Remove & replace regulators on each gas valve. Follow the instructions sent with regulators.
3. Lower control panel to gain access to main and pilot orifices.
4. **36" gas griddle:** replace 2 pilot orifices and 3 main burner orifices. Install smaller burner orifice in center burner.  
**60" gas griddle:** replace 4 pilot orifices and 5 main burner orifices.
5. Return pilot assemblies and manifolds to original position.
6. Reinstall control panel screws.
7. Turn on gas supply and test for proper operation.

### If converting from Natural Gas to Propane, the following must be ordered:

36" Griddle			60" Griddle		
Part#	Qty	Description	Part#	Qty	Description
002553	2	Gas Valve conversion Kit Nat-LP	002553	4	Gas Valve Conversion Kit Nat-LP
004248	2	Orifice Main Burner #53	004248	5	Orifice Main Burner #53
005800	1	Orifice Main Burner #57 (Center Burner)	007766	4	Orifice Pilot LP
007766	2	Orifice Pilot LP			

### If converting from Propane to Natural Gas, the following must be ordered:

36" Griddle			60" Griddle		
Part#	Qty	Description	Part#	Qty	Description
002554	2	Gas Valve Conversion Kit LP-Nat	002554	4	Gas Valve Conversion Kit LP-Nat
011743	2	Orifice Main Burner #39	011743	5	Orifice Main Burner #39
005807	1	Orifice Main Burner #49 (Center Burner)	007696	4	Orifice Pilot Natural
007696	2	Orifice Pilot Natural			