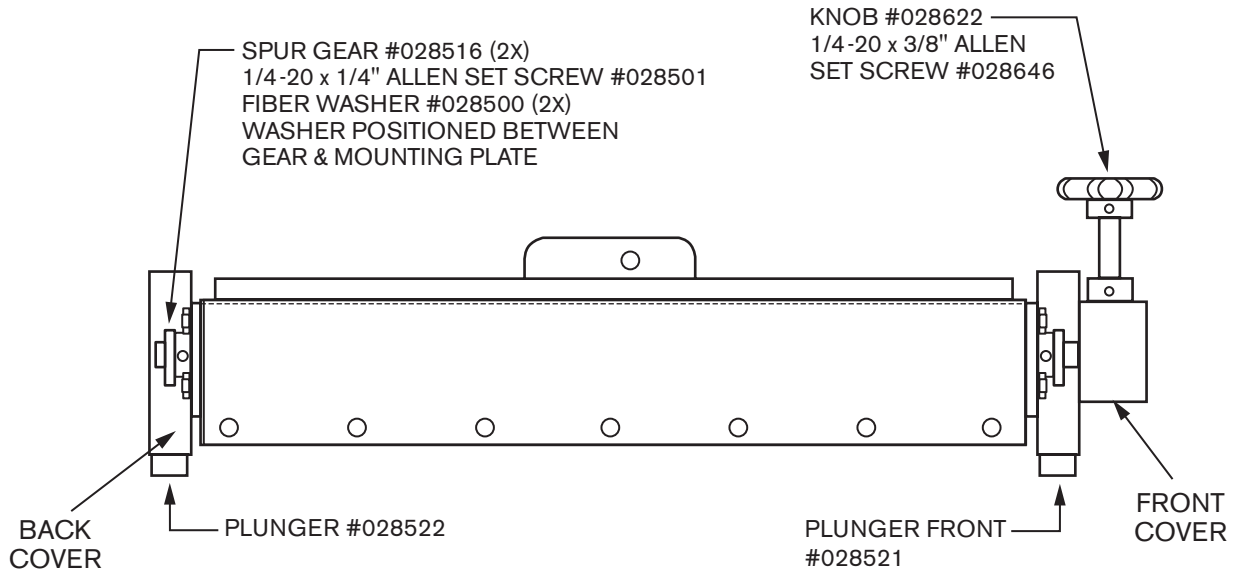




# SERVICE INSTRUCTIONS

1-800-KEATING • keatingofchicago.com

## INSTRUCTIONS FOR ADJUSTING MICRO-LEVELERS



1. Unplug Top-Side Cooker.
2. Remove front and rear covers.
3. Remove the screw from the right hand side of the plunger.
4. Turn the adjustment knob until both plungers come all the way out.
5. If the plungers are the same length, make sure they enter the gear at the same time.
6. If different lengths, put the longer plunger into the gear 1 tooth before the other.
7. Replace the screw in the right hand side.
8. Test operation of the unit.
9. Replace front and rear covers.