

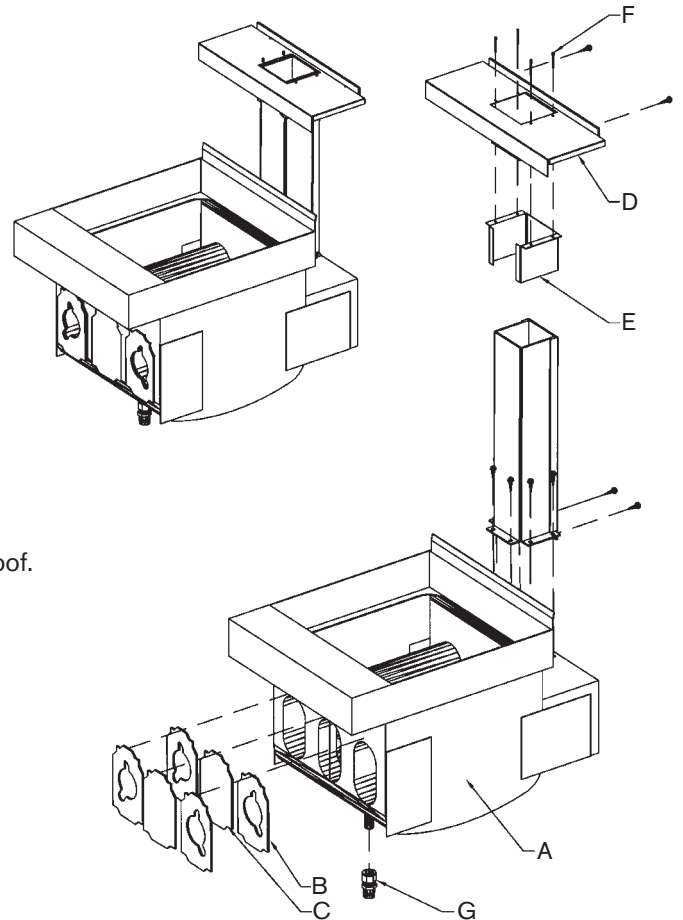


# SERVICE INSTRUCTIONS

1-800-KEATING • keatingofchicago.com

## REPLACEMENT INSTRUCTIONS FOR 14 IFM POT

ITEM	PART	QTY.	DESCRIPTION
A	052985	1	14IFM POT
B	016504	4	BURNER TO TUBE SEALING GASKET
C	016512	2	CENTER BURNER TUBE GASKET
D	035408	1	FLUE COVER
E	035409	1	FLUE COVER GUIDE
F	019355	4	RIVET POP 1/8Ø
G	054428	1	FITTING CC 5/8" x 1/2"



The 14 IFM fryer pot is shipped with a new flue box mounted, which has a preattached side, front and rear insulation and liners. The new thermostat and Hi-Limit probe fittings are secured leak proof.

The items required to be disassembled from the removed fry pot:

- Burner Mounting Plate with Burners and Center Tube Cover Plate
- Center Tube Divider with Baffles
- Flue Box Stack

Reassemble these 3 items to the new fry pot as they were in the removed fry pot.

Also included as loose parts:

- 4 New Burner to Tube Sealing Gaskets (2/burner)
- 2 Center Tube Sealing Gaskets
- Flue Cover

Replace during reassembly.

After pot is placed in the fryer, assemble the following:\*

- Flue Cover
- Flue Cover Guide

**\*NOTE:** On earlier models use the original flue cover.