



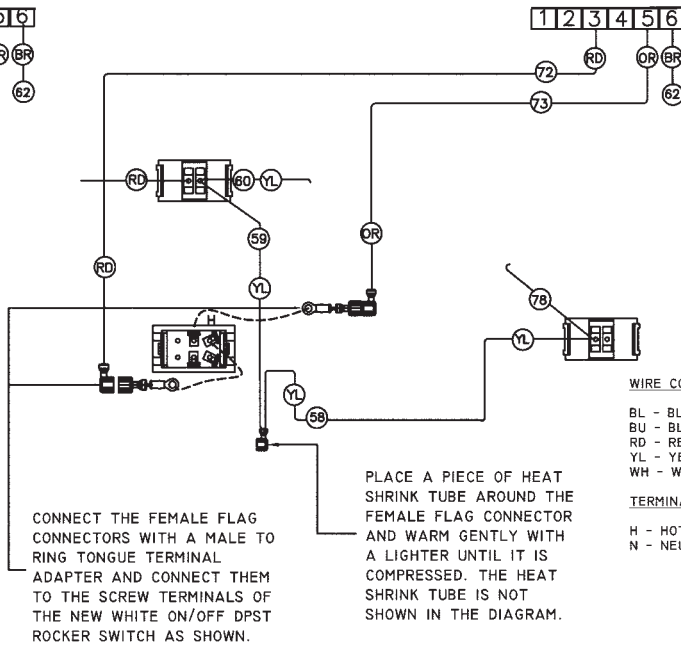
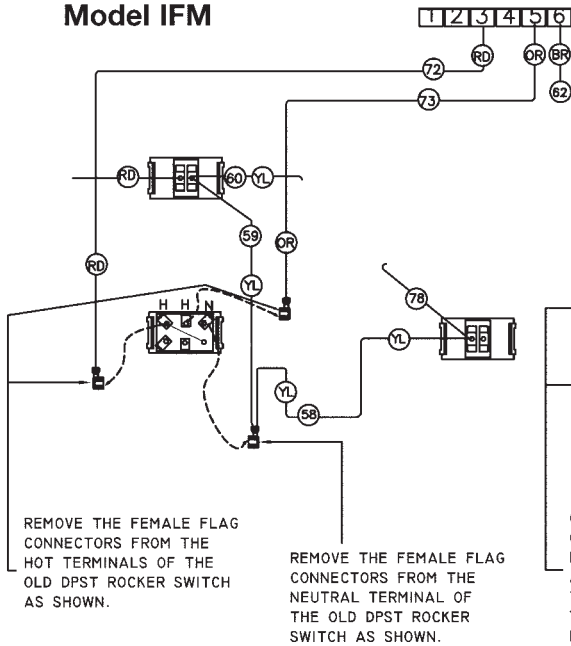
SERVICE INSTRUCTIONS

1-800-KEATING • keatingofchicago.com

REPLACING PART #032242 (Lighted Rocker Switch) WITH PART #058328 (Non-lighted Rocker Switch)

Please select the wiring diagram for your fryer and wire the new switch as shown. If the wiring version for your switch is not shown, please call 1-800-KEATING. Have your model and serial numbers available.

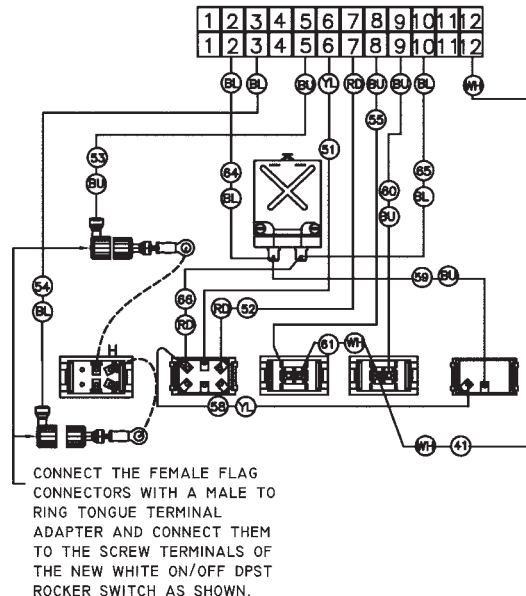
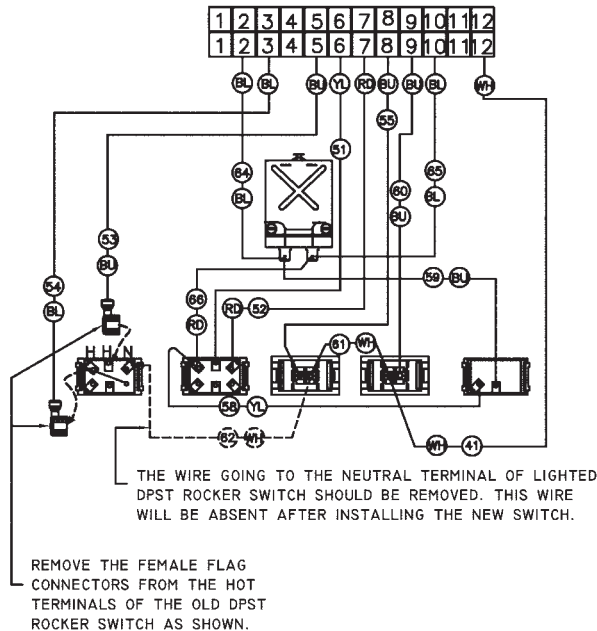
Model IFM



WIRE COLOR CODES
 BL - BLACK
 BU - BLUE
 RD - RED
 YL - YELLOW
 WH - WHITE

TERMINAL CODES
 H - HOT
 N - NEUTRAL

Model BB



WIRE COLOR CODES
 BL - BLACK
 BU - BLUE
 RD - RED
 YL - YELLOW
 WH - WHITE

TERMINAL CODES
 H - HOT
 N - NEUTRAL

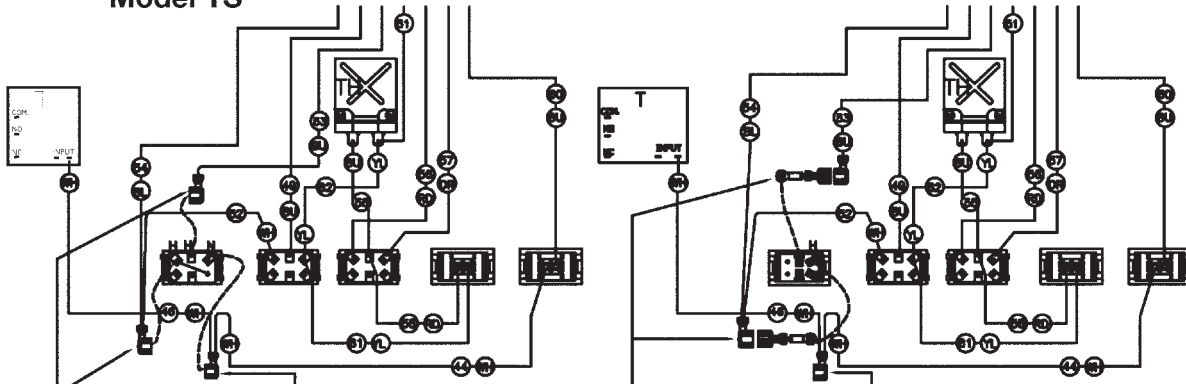


SERVICE INSTRUCTIONS

1-800-KEATING • keatingofchicago.com

REPLACING PART #032242 (Lighted Rocker Switch) WITH PART #058328 (Non-lighted Rocker Switch)

Model TS



WIRE COLOR CODES
 BL - BLACK
 BU - BLUE
 RD - RED
 YL - YELLOW
 WH - WHITE

TERMINAL CODES
 H - HOT
 N - NEUTRAL

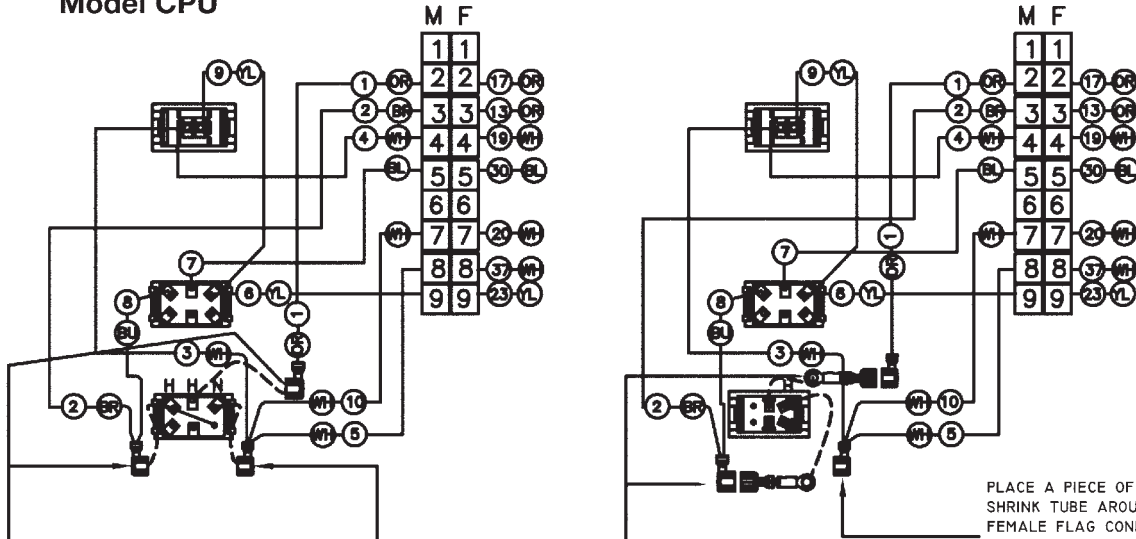
REMOVE THE FEMALE FLAG CONNECTORS FROM THE HOT TERMINALS OF THE OLD DPST ROCKER SWITCH AS SHOWN.

REMOVE THE FEMALE FLAG CONNECTORS FROM THE NEUTRAL TERMINAL OF THE OLD DPST ROCKER SWITCH AS SHOWN.

CONNECT THE FEMALE FLAG CONNECTORS WITH A MALE TO RING TONGUE TERMINAL ADAPTER AND CONNECT THEM TO THE SCREW TERMINALS OF THE NEW WHITE ON/OFF DPST ROCKER SWITCH AS SHOWN.

PLACE A PIECE OF HEAT SHRINK TUBE AROUND THE FEMALE FLAG CONNECTOR AND WARM GENTLY WITH A LIGHTER UNTIL IT IS COMPRESSED. THE HEAT SHRINK TUBE IS NOT SHOWN IN THE DIAGRAM.

Model CPU



WIRE COLOR CODES
 BL - BLACK
 BU - BLUE
 RD - RED
 YL - YELLOW
 WH - WHITE

TERMINAL CODES
 H - HOT
 N - NEUTRAL

REMOVE THE FEMALE FLAG CONNECTORS FROM THE HOT TERMINALS OF THE OLD DPST ROCKER SWITCH AS SHOWN.

REMOVE THE FEMALE FLAG CONNECTORS FROM THE NEUTRAL TERMINAL OF THE OLD DPST ROCKER SWITCH AS SHOWN.

CONNECT THE FEMALE FLAG CONNECTORS WITH A MALE TO RING TONGUE TERMINAL ADAPTER AND CONNECT THEM TO THE SCREW TERMINALS OF THE NEW WHITE ON/OFF DPST ROCKER SWITCH AS SHOWN.

PLACE A PIECE OF HEAT SHRINK TUBE AROUND THE FEMALE FLAG CONNECTOR AND WARM GENTLY WITH A LIGHTER UNTIL IT IS COMPRESSED. THE HEAT SHRINK TUBE IS NOT SHOWN IN THE DIAGRAM.