



Model No. 14 CMTS E  
Counter Model  
Instant Recovery® Fryer

PROJECT \_\_\_\_\_

QUANTITY \_\_\_\_\_

ITEM NO. \_\_\_\_\_

**Standard Features:**

- ▶ 23.2 kW input for cooking up to 72 lbs. of frozen french fries per hour
- ▶ Instant Recovery® for high production
- ▶ Stainless Steel cabinet
- ▶ Polished Stainless Steel drawn pot with seamless covered corners uses 24% less oil
- ▶ Extra large Cold Zone
- ▶ Saves on oil costs/cooks at lower temperatures
- ▶ Indicating lights and timers
- ▶ Melt cycle

**Options:**

- Instant-On™
- Computer
- Triple Size Baskets
- Drain Extensions
- Portable Filter
- Security Package
- Cover



One pair 4 mesh baskets included

The 14 CMTS E Counter Model Fryer is ideal for multi-product use. The 14 CMTS E allows you to cook up to 72 lbs. of frozen french fries or 75 lbs. of chicken per hour with an input of 23.2 kW rated at 240 volts.

**Keating saves oil costs in three ways:**

- BETTER FRY POT DESIGN
- LARGER COLD ZONE
- INSTANT RECOVERY®

1. The seamless covered corners of the deep drawn frying vessel with built-in elements requires 24% less oil while giving the production of a 50 lb. fryer.
2. The Keating frying vessel is 27% Cold Zone, the food particles collected in the cold zone are unheated and therefore do not carbonize and contribute to premature shortening breakdown.
3. Keating's "INSTANT RECOVERY"® feature means frying at lower temperatures (325° – 335°F) extending oil life while enhancing product quality.

• **Oil Capacity - 44 lbs.**

**Easy to clean**

Keating uses only 304 stainless steel in its frying vessel design and polishes each vessel. The smoother the surface, the less carbon build-up occurs, making cleaning easier. A full one inch front drain allows easy draining of oil.

Safety controls ensure safe and accurate cooking. The patented and precise thermostat controls cooking temperatures to ± 3°F. Hi-Limit control protects against the oil and fryer overheating.

Each fryer goes through a rigorous 100% test before shipping with every component carefully checked. The actual temperature test chart is included with each fryer.

**Special Order Options**

Keating gives you the widest range of options to ensure your fryer is exactly suited to your needs.



Intertek  
9902091



Intertek  
9902091



As continuous product improvement occurs, specifications may be changed without notice.

DATE \_\_\_\_\_

APPROVAL \_\_\_\_\_

SIGNATURE \_\_\_\_\_

[www.keatingofchicago.com](http://www.keatingofchicago.com)

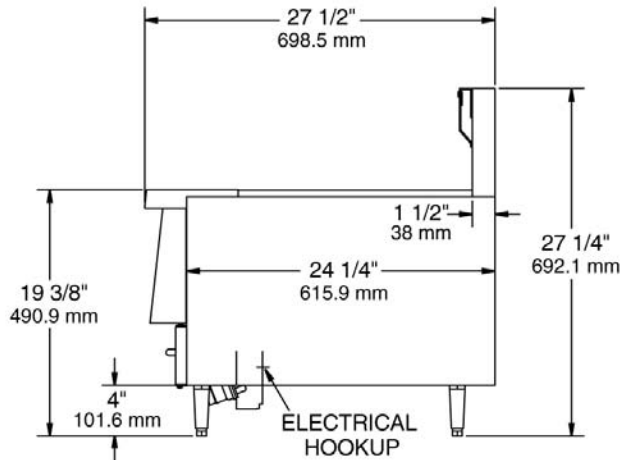
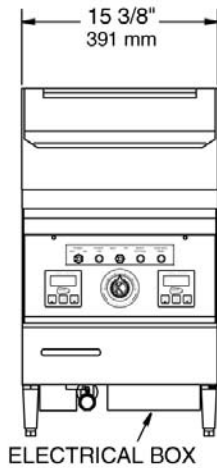
14 CMTS Electric Counter Model Instant Recovery® Fryer

"Serving Those Who Serve The Very Best"®

**KEATING**  
OF CHICAGO, INC.

Model No. 14 CMTS E Counter Model  
Instant Recovery® Fryer

A minimum of 24" at the front of the unit should be allowed for servicing and operation; a minimum of 6" on each side and at the rear of each unit for combustible materials.



**SPECIFICATIONS**

**Fryer Vessel** - 18 gauge stainless steel with covered seamless corners and a shortening capacity of 44 lbs. Equipped with three stainless steel electric elements, spaced above the bottom of the vessel so that the bottom is unheated and the food particles collecting in the bottom zone are unheated and therefore do not carbonize. The vessel is polished to inhibit carbon buildup and facilitate easy clean-up. The bottom of the vessel slopes toward the front, and is equipped with a 1" Teflon core 1/4 turn drain valve, so the shortening can be drained into a receiving vessel placed in front of the fryer.

**Splashdeck** - 16 gauge, 304 stainless steel. It slopes toward the shortening containing vessel.

**Splashback** - 18 gauge, 304 stainless steel. It completely covers the side of the flue.

**Cabinet** - 18 gauge stainless steel. Rigid in construction, with four 4" adjustable legs. The cabinet door is made of 22 gauge 304 stainless steel. The door covers the front of the cabinet from the bottom of the fryer to the fryer panel, and the full width of the cabinet. Above the panel is a canopy. No additional space is required for the door to open a full 90 degrees.

**Electric Elements** - Three electric elements, made of polished stainless steel.

**Thermostat** - Close range, hydraulic type, is accurate to ±3°F from 300° to 375°F with stainless steel bulb. Application of this thermostat is patented by Keating.

**Hi-Limit Control** - Manually resettable type with stainless steel bulb.

**Melt Cycle** - Standard on "TS" fryers, allowing the safe melting of solid shortening. Fryer is to be left in the Melt Cycle mode until oil completely covers elements.

**Indicating Lights & Switches** - Power on switch, elements on, up to frying temperature, high limit has been activated.

**Standard Accessories** - Includes two timers (programmable for three products each), one pair 4 mesh baskets, grid screen over elements, drain clean out rod and sample of Keating Klenzer.

**Electric Specifications** - 3-wire terminal block, with ground provided for field wiring. (See local codes for supply line requirements.)

**Special Order Options** may include Instant-On™, computer, triple size baskets, drain extensions, thermostat seal, portable filter, security package and cover.

**ELECTRICAL REQUIREMENTS**

MODEL	208V		220V		240V		380V**		480V**	
	KW	Amps	KW	Amps	KW	Amps	KW	Amps	KW	Amps
14 CMTS E 208-240/1	17.4	84	19.5	89	23.2	97	19.5	51	23.2	48
14 CMTS E 208-240/3	17.4	48-48-48	19.5	51-51-51	23.2	56-56-56	19.5	30-30-30	23.2	28-28-28

\* Denotes height from top of counter to top of fryer deck.

\*\* 380V or 480V are special order items.

**DIMENSIONS**

Working Height*	Overall Height	Depth	Width	Weight
19 3/8"	27 1/4"	27 1/2"	15 3/8"	130 lbs.

As continuous product improvement occurs, specifications may be changed without notice.

[www.keatingofchicago.com](http://www.keatingofchicago.com)

14 CMTS Electric Counter Model Instant Recovery® Fryer